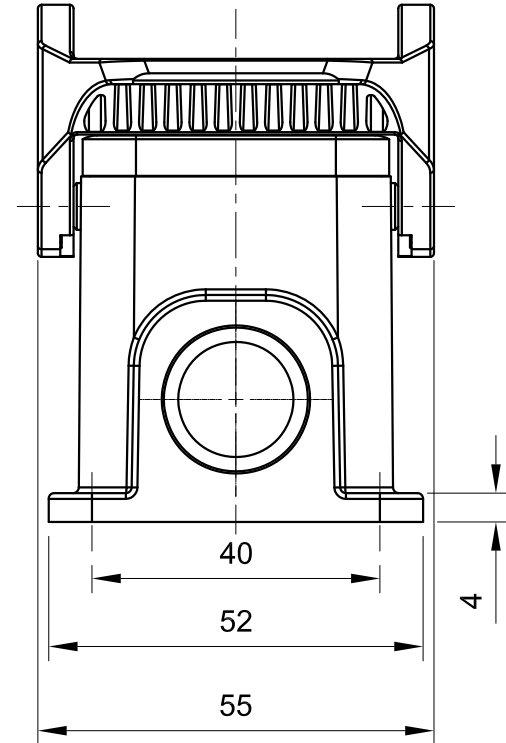
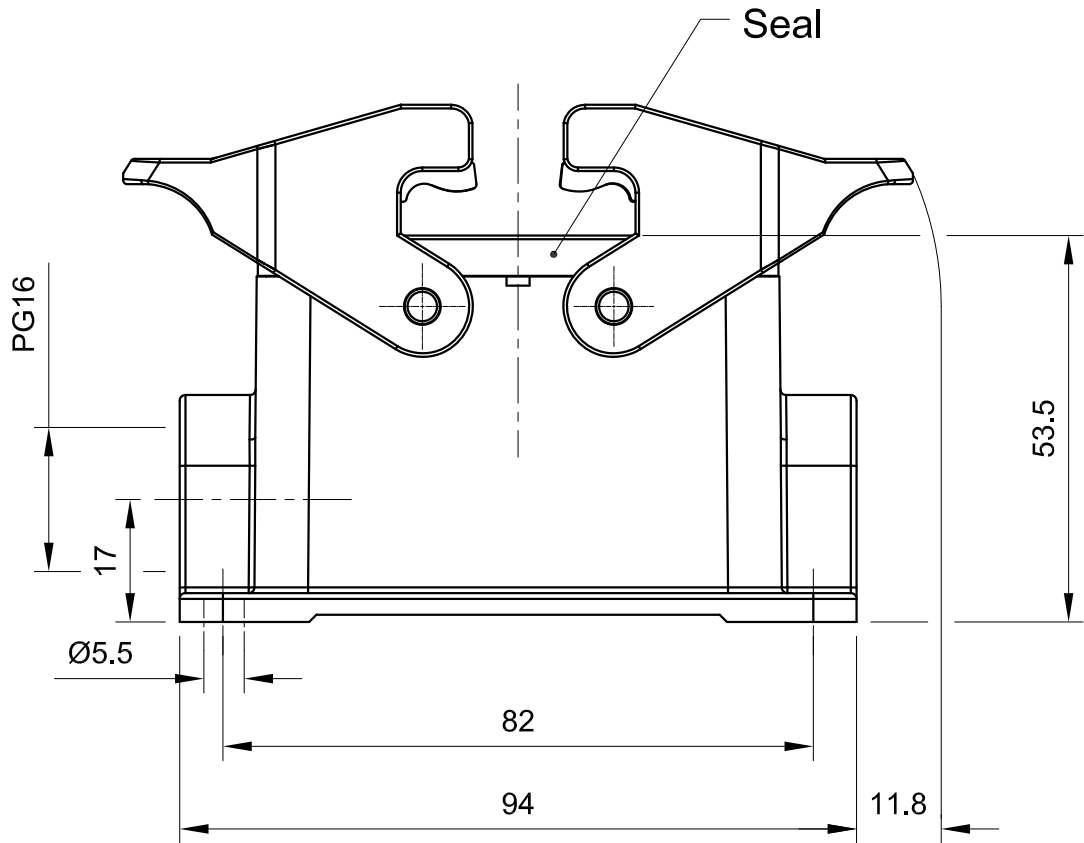


1 2 3 4 5 6

A

A

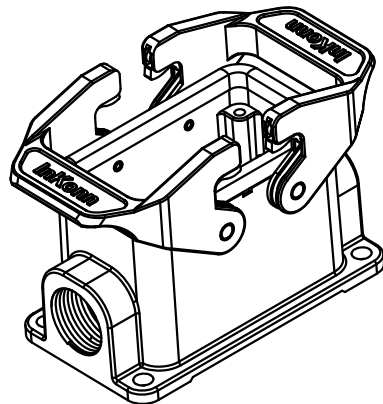


B

B

C

C



D

D

All Dimensions in mm Original Size DIN A4	Date 2019-12-10	Drawing No. TC5009981	Rev. A00	Scale 1:1
	Part No. 10 11 810 0622	Created by Shuxu Huang	Checked by Yiyi Luo	Page 1/1
InKonn® InKonn (Suzhou) Electric Technology Co.,Ltd.		Type Name HB10-SM-DL-PG16		

1 2 3 4 5 6